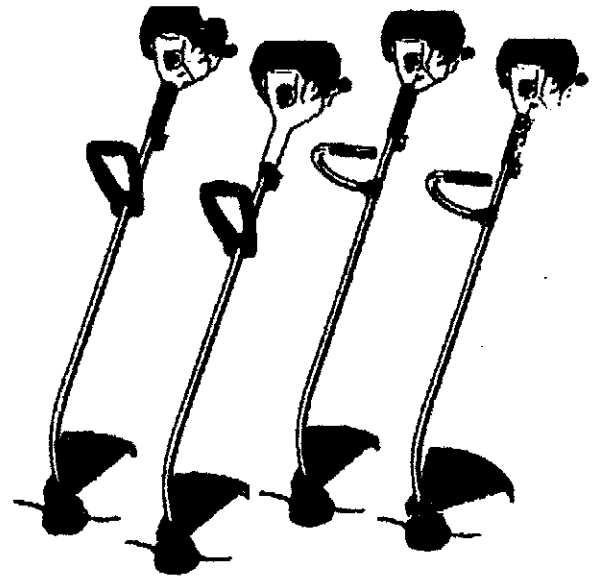


# ILLUSTRATED PARTS LIST

## 28cc and 32cc GAS POWERED CURVED SHAFT STRING TRIMMERS

MODEL NAME	(1)SERIAL NUMBER PREFIX	MODEL NUMBER	ENGINE SIZE	DRIVE SHAFT	HANDLE
MAC 1385L	22-	400132-93	32cc	CLUTCH	48" D
MAC 2816	12- / 22-	400128-01	28cc	DIRECT	44" D
MAC 2816	12- / 22-	400128-19	28cc	DIRECT	44" D
MAC 2816	12- / 22-	400128-21	28cc	DIRECT	44" D
MAC 2816	12- / 22-	400128-27	28cc	DIRECT	44" D
MAC 2816	12- / 22-	400128-51	28cc	DIRECT	44" D
MAC 2816	12- / 22-	400128-73	28cc	DIRECT	44" D
MAC 2816	12-	400128-85	28cc	DIRECT	44" D
MAC 2816	12- / 22-	400128-93	28cc	DIRECT	44" D
MAC 2816	22-	400128-97	28cc	DIRECT	44" D
MAC 2818	12- / 22-	400128-02	28cc	CLUTCH	48" D
MAC 2818	12- / 22-	400128-30	28cc	CLUTCH	48" D
MAC 2818	12- / 22-	400128-58	28cc	CLUTCH	48" D
MAC 2818	12- / 22-	400128-94	28cc	CLUTCH	48" D
Eager Beaver 282	12-	400128-05	28cc	DIRECT	44" D
Eager Beaver 28	12-	400128-17	28cc	DIRECT	44" D
Eager Beaver 282	12-	400128-47	28cc	DIRECT	44" D
Eager Beaver 287	12-	400128-10	28cc	CLUTCH	48" D
Eager Beaver 287	12	400128-28	28cc	CLUTCH	48" D
Eager Beaver 287	12-	400128-48	28cc	CLUTCH	48" J
Eager Beaver 287	12-	400128-52	28cc	CLUTCH	48" D
ProMac I Super	12- / 22-	400132-01	32cc	DIRECT	48" J
ProMac I Super	12-	400132-44	32cc	DIRECT	48" D
PowerPro P1528	22-	400128-96	28cc	DIRECT	44" D
PowerPro P1732C	22-	400132-86	32cc	CLUTCH	44" D
Roadrunner III	12- / 22-	400128-11	28cc	DIRECT	44" J
Roadrunner III	12- / 22-	400128-18	28cc	CLUTCH	44" J
Roadrunner III	12-	400128-25	28cc	DIRECT	44" J
Roadrunner III	12-	400128-59	28cc	DIRECT	44" D
Roadrunner III	12- / 22-	400128-81	28cc	DIRECT	48" J
Roadrunner III	12-	400128-83	28cc	CLUTCH	44" D
Silver Eagle 28	12- / 22-	400128-03	28cc	DIRECT	44" D
Silver Eagle 28C	12- / 22-	400128-06	28cc	CLUTCH	48" J
Silver Eagle 28	12- / 22-	400128-17	28cc	DIRECT	44" D
Silver Eagle 28C	12- / 22-	400128-20	28cc	CLUTCH	48" J
Silver Eagle 28	12-	400128-49	28cc	DIRECT	44" D
Silver Eagle 28C	12-	400128-50	28cc	DIRECT	48" J
Silver Eagle 28C	12-	400128-74	28cc	CLUTCH	48" J
Silver Eagle 28	12-	400128-75	28cc	DIRECT	44" U
FR 15" DD 44"	90-	002815-00	28cc	DIRECT	44" D
FR 15" DD 44"	90-	002816-00	28cc	DIRECT	44" D
FR 17" CD 48"	90-	002817-00	28cc	CLUTCH	48" D
FR 17" CD 48"	90-	002818-00	28cc	CLUTCH	48" D



McCulloch products are identified by a model number (in this instance 400128) followed by a suffix number (01). Suffix numbers denote variations in parts or assemblies used in the manufacture of this product.

Illustrated Parts Lists (IPLs) contain a PART NUMBER, DESCRIPTION, UNITS per assembly and STOCKING CODE for each part.

Stocking Codes are:

- A - Dealer stocked. Fast to medium moving part.
- B - Distributor stocked. Medium to slow moving part.
- C - Factory stocked. Slow moving part.
- T - Indicates a McCulloch service tool.

NOTE: The following explains symbols and footnotes in this IPL:

- (-) A dash preceding a PART NUMBER indicates that it is a new part number, different from the one listed in the previous IPL for this unit.
- (.) One or more dots (. Spring, Starter) preceding a part DESCRIPTION indicates the part is included in the kit or assembly described directly above the dot(s).
- (---) If four dashes appear in place of a PART NUMBER, the part is not available individually but is included in the next higher assembly or subassembly.
- (C) Circled numbers preceding a DESCRIPTION footnote the part or assembly to additional information on the page.
- (\*) As asterisk denotes that choices follow or precede.
- (†) Serial Number Prefix (in this instance 22-) denotes CARB approved unit -- all parts are interchangeable with Serial Number Prefix 12-.

The policy of McCulloch Corporation is one of continual improvement in design, manufacturing and engineering advancement wherever possible to assure still finer power tools. Hence, specifications, equipment colors, design and manufacturer's suggested list prices are subject to change without notice. McCulloch Corporation reserves the right to make such changes without prior notification or obligation to backfit or supply backfit components for units previously shipped from the factory.

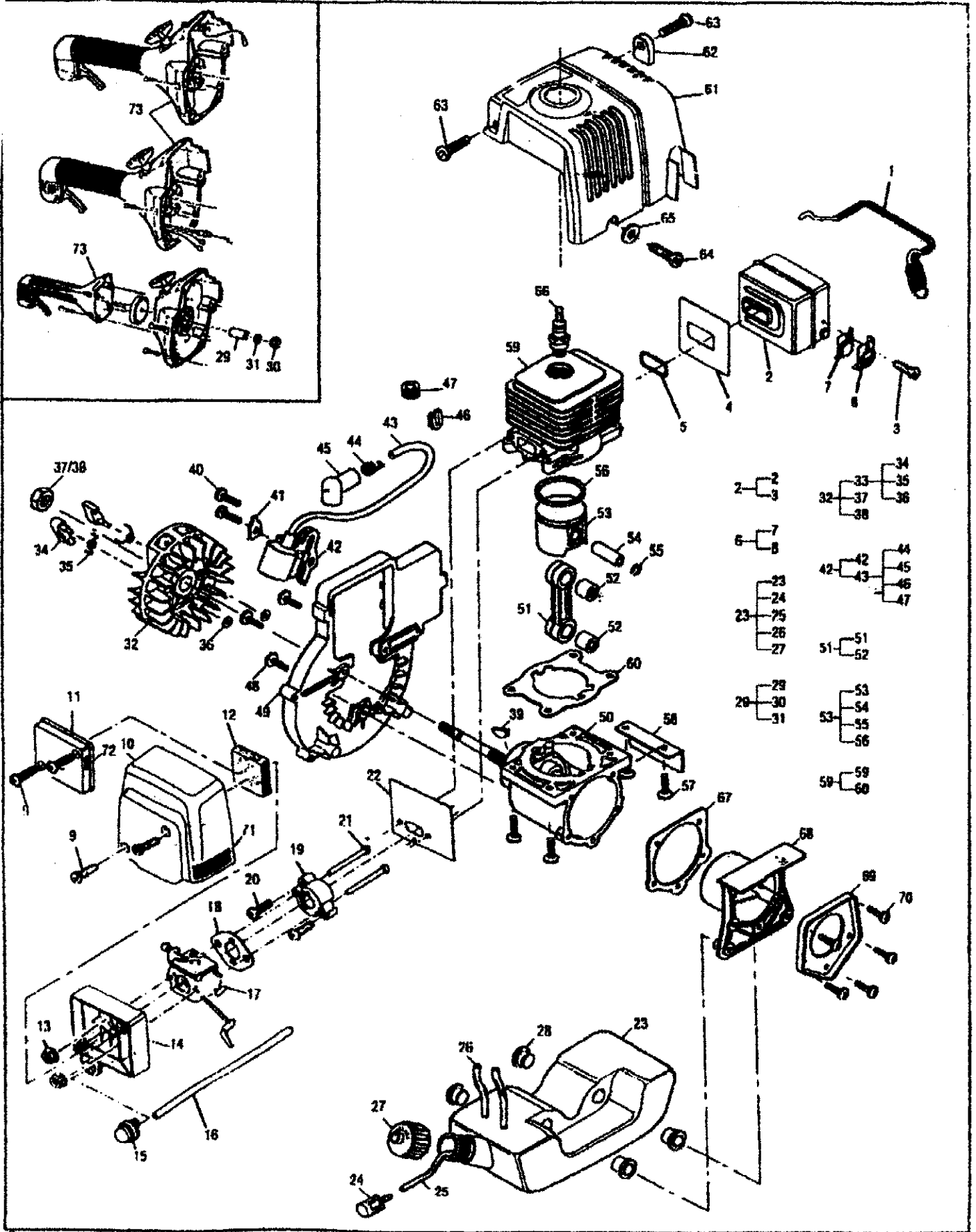
OCTOBER 1998

# McCULLOCH.

P.O. Box 11990  
Tucson, Arizona 85734-1990 - U.S.A.

FIGURE 1

POWERHEAD ASSEMBLY



# POWERHEAD ASSEMBLY

# FIGURE 1

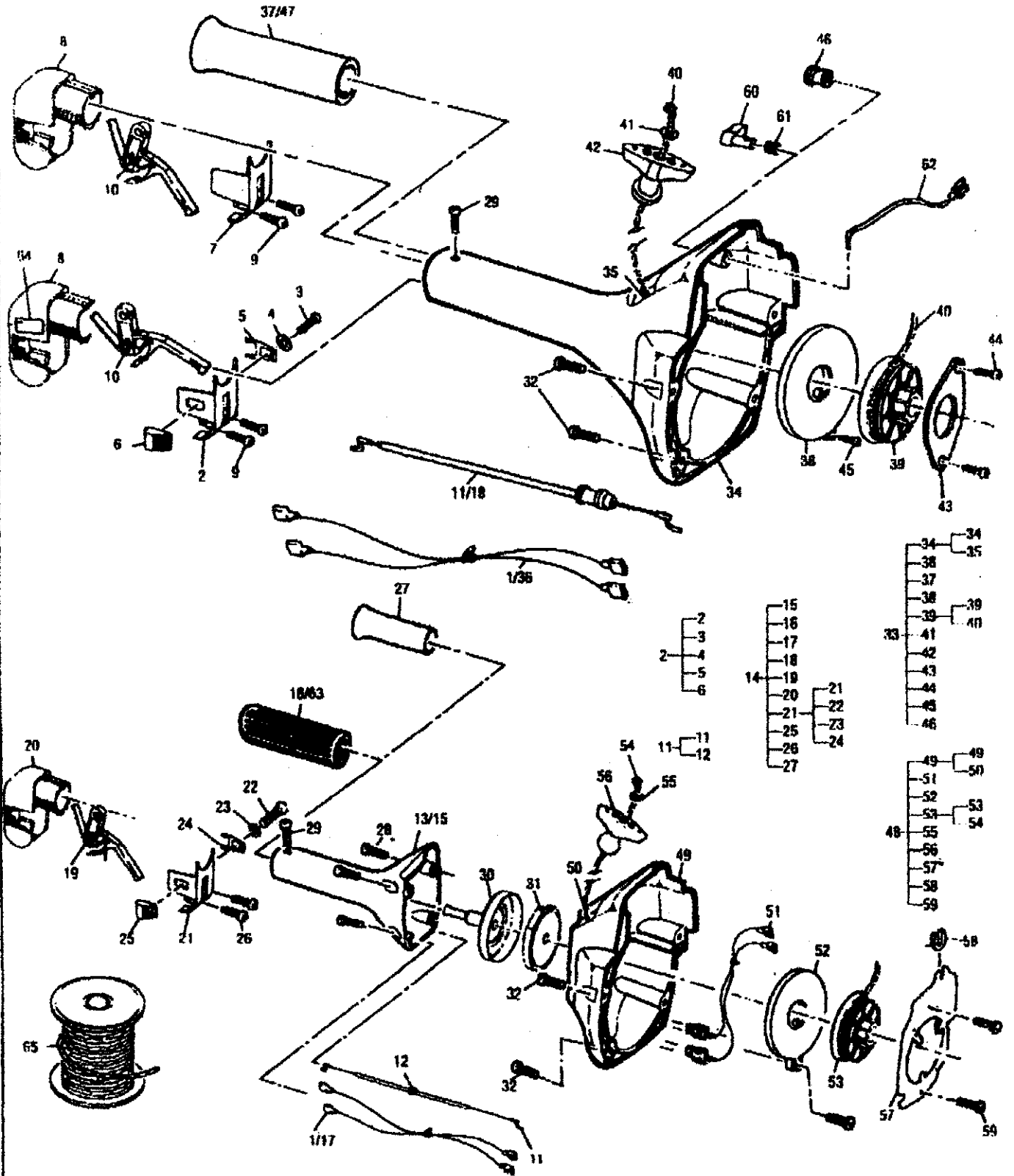
ITEM NO.	STK CODE	PART NUMBER	DESCRIPTION	UNITS PER ASY
1	A	224044	Spring, Muffler	1
2	B	-224034	Kit, Muffler	1
3	B	111072	. Screw, 8-18 x .31 Pn Dh SI Torx	1
4	A	224228	Gasket, Muffler	1
5	A	224922	Gasket, Exhaust Port	1
6	A	-302424	Kit, Spark Arrester	1
7	A	224040	. Screen, Spark Arrester	1
8	A	322032	. Cover, Spark Arrester	1
9	A	111055	Screw, 10-24 x .525, Plast	2
*10	A	224236	ⓐ Cover, Air Cleaner, Large (Black)	1
*10	B	224236-72	ⓑ Cover, Air Cleaner, Large (Green)	1
11	A	224237	ⓒ Cover, Air Cleaner, Small (Black)	1
12	A	224239	Filter, Air	1
13	A	111058	Nut, 10-24 Hex, Flange	2
14	A	224238	ⓓ Box, Air (Blk)	1
15	A	224242-02	Primer, Remote	1
16	A	225163	Hose, Fuel Return	1
17	-	FIGURE 3	Carburetor w/Choke	1
18	A	218933	Gasket, Carburetor	1
19	A	-224041-02	Insulator, Carburetor	1
20	A	111053	Screw, 10-24 x .88 Thd Form	2
21	B	111057	Screw, 10-24 Spl	2
22	A	322031	Gasket, Manifold	1
23	A	302349	Tank, Fuel (Natural)	1
24	A	-216985	. Filter, Fuel	1
25	A	225162	. Hose, Fuel	1
26	A	225163	. Hose, Fuel Return	1
27	A	-223508	. Cap, Fuel, w/Retainer	1
28	A	322105	Isolator, Fuel Tank	4
29	A	307714	ⓔ Kit, Spacer, Clutch	1
30	C	322847	. Nut, Hex, 7/16-20	1
31	B	322844	. Washer, Shaft	1
32	A	-300827-01	Kit, Flywheel, 28/32	1
33	B	-	. Kit, Pawls/Flywheel	1
34	A	-322297	.. Pawl, Starter	2
35	A	-322835	.. Spring, Starter Pawl	2
36	A	111086	.. Ring, Retainer	2
37	B	111085	ⓑ . Nut, Direct Drive	1
38	C	322847	ⓓ . Nut, 7/16-20, Clutch Drive	1
39	A	102164	Key, Flywheel	1
40	A	111053	Screw, 10-24 x .88 Thd Form	2
41	B	300321	ⓕ Terminal Tab	1
42	A	302138	Ignition Assy	1
43	A	223884	. Kit, Spark Plug Wire	1
44	A	102556	.. Connector, Spark	1
45	A	95266	.. Boot, Spark Plug	1
46	B	215533-01	ⓖ .. Grommet, H/T Lead, Split	1
47	B	110995	ⓗ .. Grommet, S/Plug Wire	1
48	B	111067	Screw, 10-24x.63 S/TorTp	3
49	B	224042	Shroud, Engine	1
*50	B	301539	ⓓ C'case/C'shaft Assy, Direct Drive	1
-	-	-	. C'case Assy	1
-	-	-	. C'case, Machined	1
-	-	-	.. Bearing 6202	1
-	-	-	.. Bearing 6202RS	1
-	-	-	.. Seal	1
-	-	-	.. Spacer	1
-	-	-	.. O-ring	1
*50	B	-301821	ⓔ C'case/C'shaft Assy, Clutch Drive	1
-	-	-	. C'shaft Assy	1
-	-	-	. C'case, Machined	1
-	-	-	.. Bearing 6202	1
-	-	-	.. Bearing 6202RS	1
-	-	-	.. Seal	1
-	-	-	.. Spacer	1
-	-	-	.. O Ring	1

ITEM NO.	STK CODE	PART NUMBER	DESCRIPTION	UNITS PER ASY
51	A	-301982	Rod, Connecting Assy	1
52	A	91117	. Bearing	2
*53	A	300661	ⓐ Kit, Piston, 28cc Aluminum	1
54	B	300482	. Pin, C'shaft Piston	1
55	A	215876	. Ring, Retaining	1
56	A	224224	. Ring, Piston, 35mm	1
*53	A	300663	ⓑ Kit, Piston, 32cc Aluminum	1
54	B	300482	. Pin, C'shaft Piston	1
55	A	215876	. Ring, Retaining	1
56	A	224217	. Ring, Piston	1
57	A	111065	Screw, 10-24 x .688 Tri Rnd	4
58	A	322030	Shield Muffler	1
*59	A	300452	ⓐ Kit, Cylinder/Gasket, 28cc Chrome	1
60	A	224022	. Gasket, Cylinder	1
*59	A	300453	ⓑ Kit, Cylinder/Gasket, 32cc Chrome	1
60	A	224022	. Gasket, Cylinder	1
61	B	224235	Cover, Cylinder/Muffler (Black)	1
62	B	322210	Washer, Plastic	1
63	B	111067	Screw, 10-24 x .63 SI Torx Tp	2
64	B	111068	Screw, 10-14 x 1.38 Tapite	1
65	A	93469	Washer, 46900/22210	1
66	A	92879	Spark Plug, RDJRJ	1
67	A	224023	Gasket, C'case	1
68	A	-224024-01	Plug, C'case	1
69	C	-322437-90	Plate, C'case, Coated Finish	1
70	A	111065	Screw, 10-24 x .688 Tri Rnd	5
71	C	322240	ⓓ Label, Choke (Vertical)	1
72	C	322480	Label, Starting Inst (Eng) for models with slide to stop switch	1
73	-	FIGURE 2	Starter/Clutch Housing Assy	1

- ⓐ Direct Drive Models Only (refer to chart on page 1)
  - ⓑ Clutch Drive Models Only (refer to chart on page 1)
  - ⓒ 28cc Models Only (refer to chart on page 1)
  - ⓓ 32cc Models Only (refer to chart on page 1)
  - ⓔ Not Used On These Models
- |   |  |   |
|---|--|---|
| <ul style="list-style-type: none"> <li>ⓕ Represents a large black air box</li> <li>22400128-03</li> <li>22400128-06</li> <li>22400128-11</li> <li>22400128-17</li> <li>22400128-18</li> <li>12400128-20</li> <li>12400128-25</li> <li>12400128-27</li> <li>12400128-49</li> <li>12400128-50</li> <li>22400128-58</li> <li>12400128-59</li> <li>12400128-61</li> <li>12400128-74</li> <li>12400128-75</li> <li>12400128-83</li> <li>12400132-01</li> <li>12400132-44</li> <li>22400132-93</li> </ul> | <ul style="list-style-type: none"> <li>ⓖ Represents a small black air box</li> <li>22400128-01</li> <li>22400128-02</li> <li>12400128-05</li> <li>12400128-10</li> <li>22400128-19</li> <li>12400128-21</li> <li>12400128-28</li> <li>12400128-30</li> <li>12400128-47</li> <li>12400128-48</li> <li>22400128-51</li> <li>12400128-52</li> <li>12400128-58</li> <li>12400128-73</li> <li>12400128-85</li> <li>22400128-93</li> <li>22400128-94</li> <li>22400128-96</li> <li>22400128-97</li> <li>90002815-00</li> <li>90002815-25</li> <li>90002816-00</li> <li>90002817-00</li> <li>90002818-00</li> </ul> | <ul style="list-style-type: none"> <li>ⓗ Represents a terminal tab</li> <li>22400128-02</li> <li>22400128-06</li> <li>12400128-10</li> <li>22400128-11</li> <li>22400128-18</li> <li>12400128-20</li> <li>12400128-25</li> <li>12400128-28</li> <li>12400128-30</li> <li>12400128-48</li> <li>12400128-49</li> <li>12400128-50</li> <li>12400128-52</li> <li>12400128-58</li> <li>12400128-61</li> <li>12400128-74</li> <li>12400128-75</li> <li>12400128-83</li> <li>12400128-85</li> <li>12400128-93</li> <li>22400128-94</li> <li>12400132-44</li> <li>22400132-86</li> <li>22400132-93</li> <li>90002817-00</li> <li>90002818-00</li> </ul> |
|---|--|---|
- ⓙ Represents a large green air box
  - 22400132-86

FIGURE 2

STARTER/CLUTCH HOUSING ASSEMBLY



# STARTER/CLUTCH HOUSING ASSEMBLY

# FIGURE 2

ITEM NO.	STK CODE	PART NUMBER	DESCRIPTION	UNITS PER ASY
1	A	301133	⊙ Wire Asy, Switch	1
1	R	301135	⊙⊙ Wire Asy, Switch	1
2	A	300064	⊙ Cover, Asy, Switch	1
3	B	111069	. Screw, 8-16 x .375 Plastite	1
4	B	105497	. Washer, Flat, .180 ID max	1
5	A	224246	. Contact, Switch	1
6	R	224245	. Button, Stop Switch	1
7	B	224914	⊙ Cover, Switch Housing	1
8	R	224234	. Trigger Hsg Asy, 22mm, 28/32	1
9	A	111061	. Screw, 6-19 x .62 Fl Hd Plastite	2
10	A	300361	. Trigger, Throttle	1
11	A	300149-01	⊙ Throttle Cable, Direct Drive	1
11	A	300372-01	⊙ Throttle Cable, Clutch Drive	1
12	A	111074	. Nut, Speed, 188 ID	1
13	B	224912	⊙ Housing, Clutch, 7/8 in. (Yellow)	1
13	R	300014	⊙ Housing, Clutch, 7/8 in. (Gray)	1
14	B	300782-61	⊙ Housing Asy, Clutch, 7/8 in (Black)	1
15	A	224912-61	. Housing, Clutch 7/8 (Black)	1
16	B	322140	. Grip	1
17	A	301133	. Wire Asy, Switch	1
18	A	300372-01	. Cable Asy, Throttle	1
19	A	300361	. Trigger, Throttle	1
20	B	224234	. Trigger Hsg Asy, 22mm (28/32)	1
21	A	300064	. Cover Asy, Switch	1
22	R	111069	. Screw, 8-16 x .375 Plastite	1
23	B	105497	. Washer, Flat, .180 ID max	1
24	A	224246	. Contact, Switch	1
24	R	224245	. Button, Stop Switch	1
25	A	111061	. Screw, 6-19 x .62 Fl Hd Plast	2
27	A	322234	. Sleeve, Protecting	1
28	A	224919	. Screw, 10-14 x 1.0 Pn Hd	4
29	A	111070	. Screw, 12-11 x .5 Pn Hd Torx	1
30	A	302106	⊙ Drum, Clutch, Heat Treated	1
31	A	300459	⊙ Kit, Clutch	1
32	A	111054	. Screw, 10-24 x .625	4
33	C	300979	⊙⊙ Kit, Starter Asy w/Plug (Gray)	1
34	C	300980	. Housing, Starter/Rope Guide	1
35	-	-	. Rope Guide	1
36	B	301135	⊙ Wire Asy, Switch	1
37	A	322234	. Sleeve, Protecting	1
38	A	300475	. Spring, Starter Rewind	1
39	A	300872	. Drum/Rope Asy	1
40	A	222869	. Rope, Starter, 46 in.	1
41	B	218941	. Washer, Nylon	1
42	A	216792	. Handle, Starter	1
43	B	322362	. Pulley, Retained, Direct Drive	1
44	A	223357	. Screw, 8-16 Plastite	2
45	B	322027	. Screw, Spring Retainer	1
46	C	300119	⊙ Plug, Switch Cover	1
33	B	224917-61	⊙⊙ Starter Asy (Black) Direct Drive	1
34	-	-	. Housing, Starter DD (Black)	1
35	-	-	. Rope Guide	1
36	B	301135	⊙ Wire Asy, Switch	1
37	A	322234	. Sleeve, Protecting	1
38	A	300475	. Spring, Starter Rewind	1
39	A	300872	. Drum/Rope Asy	1
40	A	222869	. Rope, Starter, 46 in.	1
41	B	218941	. Washer, Nylon	1
42	A	216792	. Handle, Starter	1

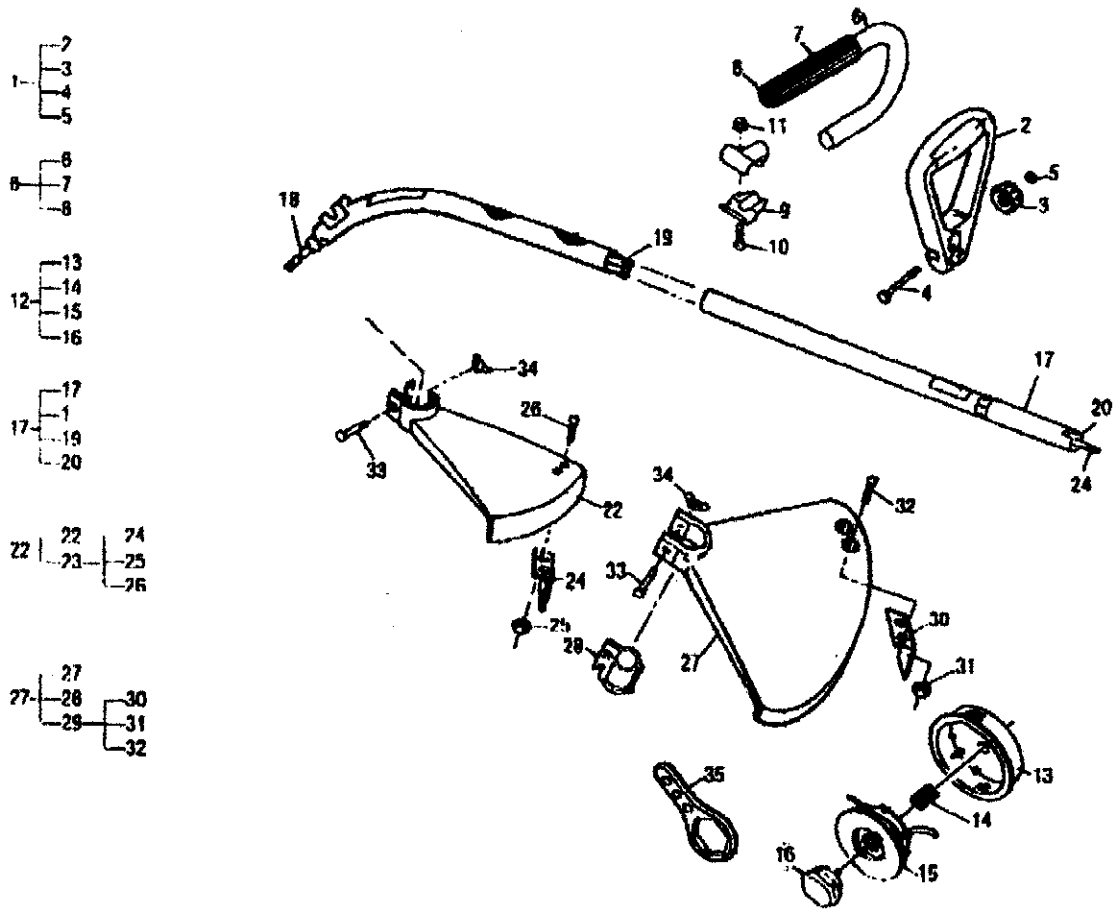
ITEM NO.	STK CODE	PART NUMBER	DESCRIPTION	UNITS PER ASY
43	B	322362	. Pulley, Retained, Direct Drive	1
44	A	223357	. Screw, 8-16 Plastite	2
45	B	322027	. Screw, Spring Retainer	1
46	C	300119	⊙ Plug, Switch Cover	1
47	A	322234	. Sleeve, Protecting	1
48	A	224916	⊙⊙ Starter Asy (Yellow), Clutch D	1
49	A	300616	. Housing, Starter/Rope Guide	1
50	-	-	. Rope Guide	1
51	A	301134	. Wire Asy, Starter Hsg	1
52	A	300475	. Spring, Starter Rewind	1
53	A	300872	. Drum/Rope Asy, 28/32	1
54	A	222869	. Rope, Starter, 46 in.	1
55	B	218941	. Washer, Nylon	1
56	A	216792	. Handle, Starter	1
57	B	224927	. Plate, Baffle, Clutch Drive	1
58	B	215533-01	. Grommet, H/T Lead	1
59	A	223357	. Screw, 8-16 Plastite	2
48	B	300013	⊙⊙ Starter Asy (Grey) Clutch Dr	1
49	B	300618	. Housing, Starter/Rope Guide	1
50	-	-	. Rope Guide	1
51	A	301134	. Wire Asy, Starter Hsg, Clutch Dr	1
52	A	300475	. Spring Asy, Package	1
53	A	300872	. Drum/Rope Asy	1
54	A	222869	. Rope, Starter, 46 in.	1
55	B	218941	. Washer, Nylon	1
56	A	216792	. Handle, Starter	1
57	B	224927	. Plate, Baffle, Clutch Drive	1
58	B	215533-01	. Grommet, H/T Lead, Split	1
59	A	223357	. Screw, 8-16 Plastite	2
48	B	224916-61	⊙⊙ Starter Asy Clutch Drive (Black)	1
49	B	224240-61	. Housing, Starter Cl Dr (Black)	1
50	-	-	. Rope Guide	1
51	A	301134	. Wire Asy, Starter Hsg, Clutch Dr	1
52	A	300475	. Spring Asy, Package	1
53	A	300872	. Drum/Rope Asy	1
54	A	222869	. Rope, Starter, 46 in.	1
55	B	218941	. Washer, Nylon	1
56	A	216792	. Handle, Starter	1
57	B	224927	. Plate, Baffle, Clutch Drive	1
58	B	215533-01	. Grommet, H/T Lead	1
59	A	223357	. Screw, 8-16 Plastite	2
60	B	222914	⊙ Button, Stop	1
61	B	222913	⊙ Spring, Stop Button	1
62	B	222926	⊙ Wire Asy, Switch	1
63	B	322140	⊙ Grip	1
64	B	322081	⊙ Label, ON/OFF Switch	1
65	B	300415	. Rope, Bulk	1

⊙ Direct Drive Models Only (refer to chart on page 1)  
 ⊙ Clutch Drive Models Only (refer to chart on page 1)

⊙ Represents grey asyDD 22400128-03 12400128-17 12400128-49 12400128-75	⊙ Represents black asyDD 22400128-96	⊙ Represents grey asyCL 22400128-06 12400128-20 12400128-50 12400128-74	⊙ Represents DD/ moment switch 22400128-01 22400128-03 12400128-05 22400128-11 22400128-17 22400128-18 22400128-19 22400128-21 12400128-25 12400128-27 12400128-44 12400128-48 12400128-47 22400128-51 12400128-59 12400128-61 12400128-83 12400128-73 12400128-75 12400128-85 22400128-87 22400132-01
⊙ Represents yellow asyDD 22400128-01 12400128-05 12400128-11 12400128-19 22400128-21 12400128-25 12400128-27 12400128-47 22400128-51 12400132-59 12400132-51 22400128-73	⊙ Represents yellow asyCL 22400128-02 12400128-10 22400128-18 22400128-30 12400128-48 12400128-52 22400128-58 12400128-83 22400128-94 12400132-01 12400132-44 90002817-00 90002818-00	⊙ Represents black asyCL 22400132-06 22400132-93	⊙ Represents DD/ On/Off switch 22400128-11 12400128-25 12400128-49 12400128-59 12400128-61

**FIGURE 3**

**SHAFT / HANDLE / STRINGHEAD ASSEMBLY**



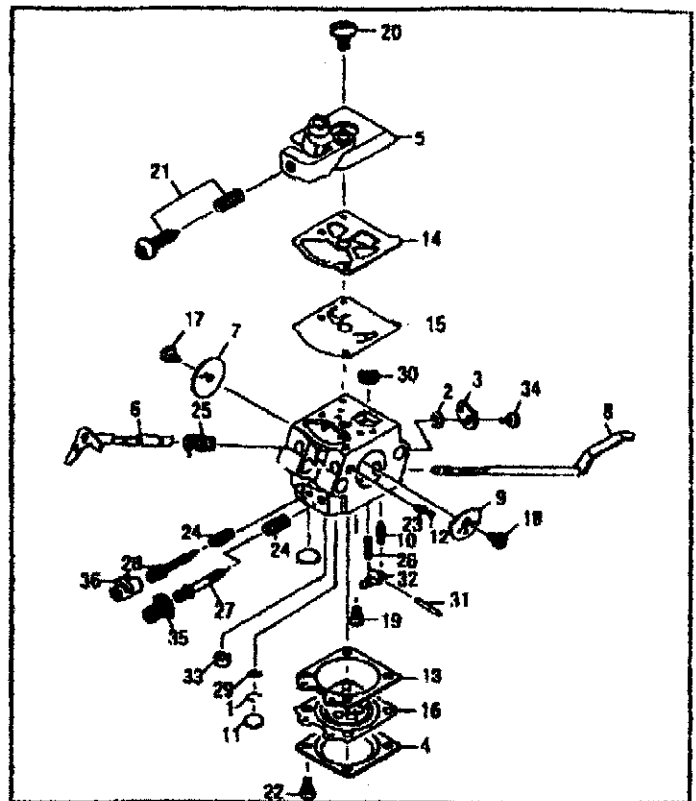
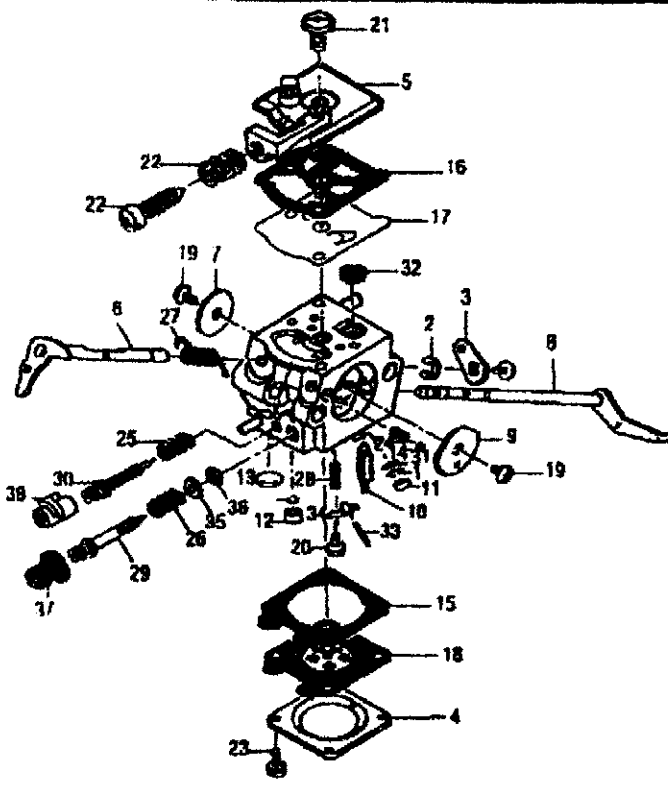
*COLLAR FOR SHIELD 224499*

ITEM NO.	STK CODE	PART NUMBER	DESCRIPTION	UNITS PER ASY
1	B	300834	ⓐ Handle, Delta Kit	1
2	C	37106-10	. Assist Handle w/Cap Asy	1
3	B	322719	. Knob	1
4	B	09075-99	. Bolt, 1/4 in.-20 x 2.5 Hx Cap	1
5	B	13035-99	. Nut, 1/4 in.-20 x .22 T	1
6	B	300540	ⓐ Handle, J-Grip Asy	1
7	C	322139	. Grip	1
8	B	218328	. Plug, Tubing	1
9	B	215337	ⓐ Clamp, Handle	2
10	A	217935	ⓐ Screw	2
11	A	218315	ⓐ Nut, 10-24	2
12	A	300651	Kit, Stringhead, Small	1
13	A	322025	. Housing/Eyebolt Asy w/Collar	1
14	A	-324089	. Spring, McC Stringhead	1
15	A	300688	. Kit, Line on Spool, M-Sm	1
16	A	-300736-01	. Kit, Knob Asy, Small	1
17	A	300429	ⓐ Housing Asy, Outer, 44"	1
20	A	223412	. Clip, Spring External	2
17	A	300424	ⓑ Housing Asy, Outer, 48"	1
20	A	223412	. Clip, Spring External	2
21	A	-301023	ⓐ Shaft, Flex, 44"	1
21	A	215324	ⓑ Shaft, Flex, 48"	1
22	A	224062	Shield Asy, Grass, R, 17in.	1
23	A	300626	. Kit, Knife	1
24	A	-224497-01	. Cutter	1
25	A	216682	. Nut, Lock 10 24 Hex	2
26	A	217935	. Screw, 10-24 x .50 Torx	2

ITEM NO.	STK CODE	PART NUMBER	DESCRIPTION	UNITS PER ASY
27	A	300317	ⓐ Shield Asy, Grass, 90°	1
28	B	224499	. Spacer	1
29	A	300626	. Kit, Knife	1
30	A	-224497-01	. Cutter	1
31	A	216682	. Nut, Lock 10-24 Hex	1
32	A	217935	. Screw, 10-24 x .50 Torx	2
33	A	216595	Screw, M6 x 1.0 Hex	1
34	A	111102	Nut, Wing M6 x 1.0	1
35	T	322344	Wrench, Stringhead	1
ⓐ 44" Shaft Models Only (refer to chart on page 1)				
ⓑ 48" Shaft Models Only (refer to chart on page 1)				
ⓐ Represents a delta handle				
ⓑ Represents a J-handle				
22400128-01		12400128-73		22400128-06
22400128-02		12400128-75		22400128-11
22400128-03		12400128-83		22400128-18
22400128-05		12400128-85		22400128-20
22400128-10		12400128-93		22400128-25
22400128-17		12400128-94		22400128-48
22400128-19		12400128-96		22400128-50
22400128-21		12300128-97		22400128-61
22400128-27		22400132-01		
22400128-30		12400132-44		
12400128-47		22400132-86		ⓐ 12400128-49
12400128-49		22400132-94		12400128-50
22400128-51		90002815-00		
12400128-52		90002816-00		
22400128-58		90002817-00		
		90002818-00		

**FIGURE 4**

**CARBURETOR ASSEMBLY**



ITEM NO.	STK CODE	PART NUMBER	DESCRIPTION	UNITS PER ASY
	A	323602 03	Carburetor, Webers WT 434	1
1			Ring, Screen Retainer	1
2			Ring, Shaft Retainer	1
3			Lever, Throttle	1
4			Cover, Metering Lever	1
5	B	300072	Cover, Fuel Pump	1
6			Shaft Assy, Throttle	1
7			Valve, Throttle	1
8			Shaft Assy, Choke	1
9			Valve, Choke	1
10			Valve, Inlet Needle	1
11			Seat Assy, Check Valve	1
12			Plug, Cap	1
13			Plug, Welch	1
14			Ball, Choke Friction	1
15			Gasket, Metering Diaphragm	1
16			Gasket, Fuel Pump	1
17			Diaphragm, Fuel Pump	1
18			Diaphragm Assy, Metering	1
19			Screw, Valve	2
20			Screw, Metering Lever Pin	1
21			Screw, Pump Cover	1
22			Screw, Idle Adjust KR	1
23			Screw, Metering Cover	4
24	A		Spring, Choke Friction	1
25			Spring, Idle Needle	1
26			Spring, High Speed Needle	1
27			Spring, Throttle Return	1
28			Spring, Metering Lever	1
29			Needle, High Speed	1
30			Needle, Low Speed	1
31			Screw, Check Valve	2
32			Screen, Fuel Inlet	1
33			Pin, Metering Lever	1
34			Lever, Metering	1
35			Ring, High Speed	1
36			Washer, High Speed	1
37	R	323601	Cap, Limiter, High, Black	1
38	R	323602	Cap, Limiter, Low, White	1
		300457	KR, Major Repair A1117WT (Stk Code A)	
		374460	KR, Gasket/Diaphragm (B1170WT (Stk Code A)	
		377363	KR, Choke Lever 40 999 (Stk Code A)	

ITEM NO.	STK CODE	PART NUMBER	DESCRIPTION	UNITS PER ASY
	A	323602-03	Carburetor, Zama C11U M290	1
1			Ring, Screen Retainer	1
2			Collar	1
3			Lever, Throttle	1
4			Cover, Metering Lever	1
5	B	300456	Cover, Fuel Pump	1
6			Shaft Assy, Throttle	1
7			Valve, Throttle	1
8			Shaft Assy, Choke	1
9			Valve, Choke	1
10			Valve, Inlet Needle	1
11			Plug, Welch	1
12			Ball, Choke Friction	1
13			Gasket, Metering Diaphragm	1
14			Gasket, Fuel Pump	1
15			Diaphragm, Fuel Pump	1
16			Diaphragm Assy, Metering	1
17			Screw, Valve	1
18			Screw, Valve	1
19			Screw, Metering Lever Pin	1
20			Screw, Pump Cover	2
21			Screw, Idle Adjust KR	1
22			Screw, Metering Cover	7
23			Spring, Choke Friction	2
24			Spring, Needle	1
25			Spring, Throttle Return	2
26			Spring, Metering Lever	1
27			Needle, High Speed	1
28			Needle, Low Speed	1
29			Screen, Check Valve	1
30			Screen, Fuel Inlet	1
31			Pin, Metering Lever	1
32			Lever, Metering	1
33			Nozzle Assy, Check Valve	1
34			Screw, Throttle Lever	1
35	B	323603	Cap, Limiter, High, Black	1
36	B	323604	Cap, Limiter, Low, White	1
		300454	KR, Major Repair RB-48 (Stk Code B)	
		300473	KR, Gasket/Diaphragm 680-13 (Stk Code A)	
		377358	KR, Choke Lever 40-999 (Stk Code A)	

# McCULLOCH®

P.O. Box 11990 • Tucson Arizona 85734-1990 • U.S.A.

• **MANUFACTURING • SALES • SERVICE •**

FOR WARRANTY OR SERVICE,  
CONTACT THE NEAREST McCULLOCH AUTHORIZED SERVICE CENTER  
LISTED UNDER 'SAWS' IN YOUR TELEPHONE DIRECTORY YELLOW PAGES.

IF FURTHER ASSISTANCE IS REQUIRED CALL THIS TOLL-FREE HOT LINE.  
PLEASE REFERENCE YOUR MODEL AND SERIAL NUMBER.

1-800-423-6302

MONDAY - FRIDAY - 6:00 AM - 4:30 PM (MST)

## TORQUE SPECIFICATIONS

DESCRIPTION	FASTENER PART NO.	FIG/ ITEM	TORQUE (IN/LBS)	LOCTITE
C'Case to Cylinder	111065	1 / 57	55 - 60	242
C'Case to Plast Plug	111065	1 / 70	35 - 40	242
Insulator to Cylinder	111053	1 / 20	45 - 50	242
Shroud to C'Case	111054	1 / 48	55 - 60	242
Ignition Assy	111053	1 / 40	45 - 50	242
Carburetor	111058	1 / 13	25 - 30	-
Spark Plug	92879	1 / 66	110 - 120	-
Flywheel Nut	111085	1 / 37	140 - 145	242
Flywheel Nut	322847	1 / 38	140 - 145	242
Starter Housing	111054	2 / 18	30 - 35	-
Clutch Housing	224919	2 / 14	30 - 35	-

## ENGINE SPECIFICATIONS






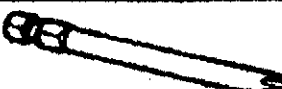
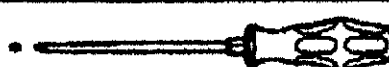
Engine Type	Air-Cooled, Two Cycle, Single Chrome Cylinder
Displacement	28cc or 32cc
Maximum Horsepower	28cc = 1.1 HP 32cc = 1.3 HP
Bore and Stroke	28cc = 1.37x1.12 in. (35x28.6mm) 32cc = 1.49x1.12 in. (38x28.6mm)
Idle RPM, Direct Dr (asmb'd)	3000 - 3500 RPM
Idle RPM, Clutch Dr (asmb'd)	2700 - 3000 RPM
Maximum RPM (asmb'd)	7000 - 8000 RPM
Compression, PSI	28cc = 80 lbs (after 10 pulls, thr't full open)
Ignition	Electronic
Flywheel to Ignition Gap	0.010-0.015 in. (0.254-0.381mm)
Spark Plug	Champion RDJ8J
Spark Plug Gap	0.025 in. (0.63mm)
Fuel Tank Capacity	24 oz. (71ml)
Fuel Type	Unleaded - Regular Grade
Fuel to Oil Ratio	40:1 McCulloch Custom Lubricant
Dry Weight	44" = 9.9 lbs 48" = 13.6 lbs
Carburetor	Diaphragm with Primer
Starter Cord	Nylon, Type 3.5, Length 46 in.

## LOCTITE KIT



322235-02	Loctite Kit
322236	Retaining Compound 620 (10 ml)
322237	Thread Locker 242 (10 ml)
322238	Gasket Eliminator 518 (50 ml)
322239-01	Black Max 380 (3 ml)
323749	Thread Locker 262 (10 ml)
323762	Anti-Seize Lubricant 767 (30 ml)

## SERVICE TOOLS

 PN 111124 - T-27 Torx Dr 3.5 in.	 PN 217720 - Torx Dr Set	 PN 323330 Ignition Tester	 PN 215432-01 Pressure Test Tool	 PN 91424 Tachometer
 PN 222785 - T-25 Torx dr 3.5 in.	 PN 323754 - Torx Dr Set of 6 Bit Sizes: Tx 10, 15, 20, 25, 27, 30			